

2U RACK HANDLE

SPECIFICATIONS:

HANDLES

DESCRIPTION: EIA-310 compliant 2U rack handle with captive screws to secure enclosure to rack
 MATERIAL: Bayer Bayblend PC/ABS polymer
 RATED STRENGTH: 100lbs per handle, straight pull
 FLAMMABILITY: NEBS compliant UL94 V-0, IEC 60335-1
 ECOLABELS: RoHS, Blue Angel, Nordic Swan, TCO, WEEE, EU Flower

CAPTIVE SCREWS

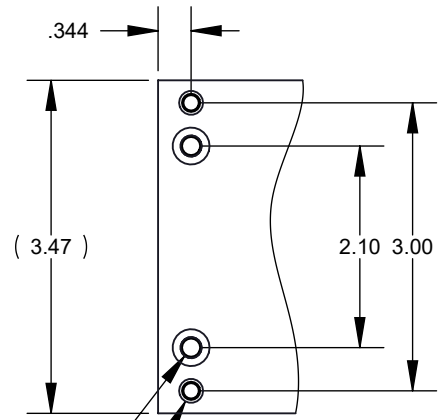
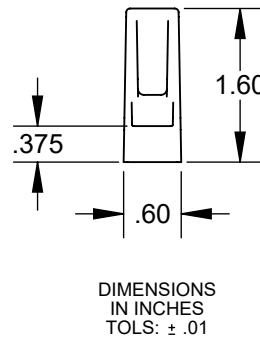
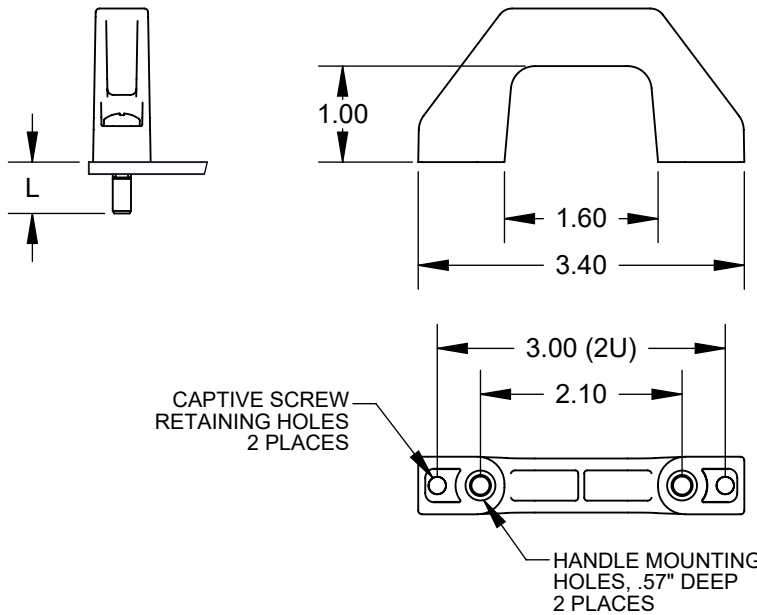
DESCRIPTION: ANSI #10-32 captive phillips pan head
 MATERIAL: 18-8 stainless steel

MOUNTING SCREWS

DESCRIPTION: #10-14x5/8" flat head plastite thread forming
 MATERIAL: zinc plated steel

SCOPE OF SUPPLY

The kit part number includes 2 handles, 4 mounting screws and 4 captive screws packaged with mounting instructions.



KIT PART NUMBERS			
PANEL THICKNESS	SCREW STYLE	"L"	PART NO.
.059-.090"	PHIL PN HD	.435"	3002-059
.100-.134"	PHIL PN HD	.485"	3002-100
.160-.190"	PHIL PN HD	.535"	3002-160
.375 ± .015"	PHIL PN HD	.750"	3002-375

Part numbers shown ensure complete screw engagement with tapped or cage-nut style rack rails. For dedicated tapped rail applications a shorter screw may be used. Example: 3002-059 will work with a .125" panel and tapped rails.

2X ϕ .221 THRU
 \sphericalangle ϕ .39 X 82°
 (\sqsubset ϕ .39 ∇ .13 ON .375" PANEL)

2X ϕ .25 THRU

RECOMMENDED MOUNTING HOLES REAR SIDE OF 2U PANEL TOLS: ± .005

